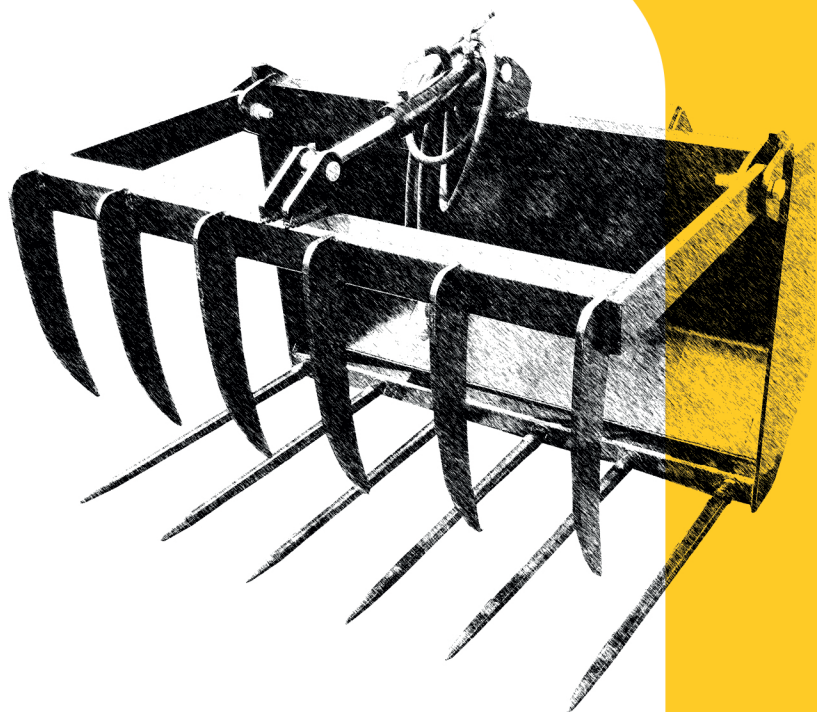


EN

SIEGER

ACCESSORIES CATALOG
2024





CONTENTS

FL FRONTLOADER

| | |
|-------------------------|----|
| FL LOADER BUCKET | 04 |
| FL LOADER BUCKET L | 04 |
| FL LOADER BUCKET XL | 04 |
| FL LOADER BUCKET 4 IN 1 | 05 |
| FL HIGH-LOAD BUCKET | 05 |
| FL SIEVE BUCKET | 05 |
| FL CROCODILE | 06 |
| FL CROCODILE BUCKET A | 06 |
| FL CROCODILE BUCKET B | 07 |
| FL SILO CUTTER | 07 |
| FL BALE GRABBER | 07 |
| FL BALE GRABBER XL | 08 |
| FL SQUARE BALE GRABBER | 08 |
| FL PALLET FORK | 08 |
| FL PALLET FORK L | 08 |
| FL BALE SPIKE | 09 |
| FL BALE SPIKE L | 09 |
| FL BALE SPIKE XL | 09 |
| FL STONE FORK | 10 |
| FL WOOD GRIPPER | 10 |
| FL BIG-BAG CARRIER | 10 |

TL TELESCOPIC LOADER | ML MINI LOADER

| | |
|-----------------------|----|
| TL VOLUME BUCKET | 11 |
| TL VOLUME BUCKET XL | 11 |
| TL CROCODILE | 12 |
| TL CROCODILE BUCKET B | 12 |
| TL SILO CUTTER | 13 |
| TL PALLET FORK | 13 |
| TL PRISM FORK | 14 |

ML MINI LOADER | MF MINI FRONTLOADER

| | |
|-------------------------|----|
| ML LOADER BUCKET | 14 |
| ML LOADER BUCKET 4 IN 1 | 15 |
| ML CROCODILE | 15 |
| ML CROCODILE BUCKET A | 16 |

MF MINI FRONTLOADER

| | |
|-----------------------|----|
| MF LOADER BUCKET L | 16 |
| MF CROCODILE | 16 |
| MF CROCODILE BUCKET A | 17 |
| MF CROCODILE BUCKET B | 17 |
| MF MANURE FORKS | 17 |

| | |
|----------------------|----|
| AVAILABLE FASTENINGS | 18 |
|----------------------|----|

FL LOADER BUCKET

| | | | | | |
|---------------------|------|------|------|------|------|
| Width (mm) | 1200 | 1400 | 1600 | 1800 | 2000 |
| Depth (mm) | 860 | 860 | 860 | 860 | 860 |
| Overall height (mm) | 690 | 690 | 690 | 690 | 690 |
| Weight (kg) | 121 | 133 | 145 | 167 | 176 |
| Volume (m3) | 0,3 | 0,35 | 0,4 | 0,45 | 0,5 |



FL LOADER BUCKET L



| | | | | | | | | | |
|---------------------|------|------|------|------|------|------|-------|------|-------|
| Width (mm) | 1200 | 1400 | 1600 | 1800 | 2000 | 2200 | 2300 | 2400 | 2500 |
| Depth (mm) | 805 | 805 | 805 | 805 | 805 | 805 | 805 | 805 | 805 |
| Overall height (mm) | 690 | 690 | 690 | 690 | 690 | 690 | 690 | 690 | 690 |
| Weight (kg) | 121 | 133 | 145 | 167 | 176 | 195 | 202 | 213 | 225 |
| Volume (m3) | 0,3 | 0,35 | 0,4 | 0,45 | 0,5 | 0,55 | 0,575 | 0,6 | 0,625 |

FL LOADER BUCKET XL

| | | | | |
|---------------------|------|------|------|------|
| Width (mm) | 1800 | 2000 | 2200 | 2400 |
| Depth (mm) | 1010 | 1010 | 1010 | 1010 |
| Overall height (mm) | 825 | 825 | 825 | 825 |
| Weight (kg) | 247 | 271 | 290 | 317 |
| Volume (m3) | 0,8 | 0,9 | 1,0 | 1,1 |



FL LOADER BUCKET 4 IN 1

| | | | | |
|---------------------|------|------|------|------|
| Width (mm) | 1600 | 1800 | 2000 | 2200 |
| Depth (mm) | 825 | 825 | 825 | 825 |
| Overall height (mm) | 750 | 750 | 750 | 750 |
| Weight (kg) | 320 | 368 | 416 | 464 |
| Volume (m3) | 0,33 | 0,37 | 0,4 | 0,44 |



FL HIGH-LOAD BUCKET



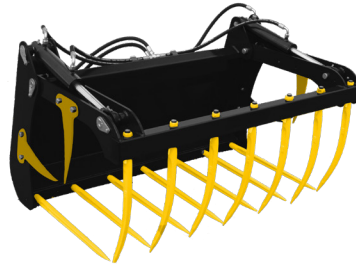
| | | | | | | |
|-------------|-------|-------|-------|-------|-------|-------|
| Width (mm) | 1200 | 1400 | 1600 | 1800 | 2000 | 2200 |
| Volume (m3) | 0,400 | 0,475 | 0,550 | 0,625 | 0,700 | 0,775 |
| Weight (kg) | 365 | 382 | 400 | 417 | 435 | 447 |

FL SIEVE BUCKET

| | | | | | |
|---------------------|-------|------|------|------|------|
| Width (mm) | 1200 | 1400 | 1600 | 1800 | 2000 |
| Length (mm) | 980 | 980 | 980 | 980 | 980 |
| Overall height (mm) | 670 | 670 | 670 | 670 | 670 |
| Weight (kg) | 149 | 170 | 198 | 341 | 350 |
| Volume (m3) | 0,312 | 0,36 | 0,41 | 0,48 | 0,52 |



FL CROCODILE



| | | | | | | |
|---|--------------|--------------|--------------|--------------|--------------|--------------|
| Width (mm) | 1200 | 1400 | 1500 | 1600 | 1800 | 2000 |
| Overall height (mm) | 900 | 900 | 900 | 900 | 900 | 900 |
| Weight (kg) | 214 | 221 | 228 | 235 | 275 | 297 |
| Volume (m3) | 0,70 | 0,75 | 0,8 | 0,90 | 1,00 | 1,10 |
| Lenght: Upper tines / Number of tines : Lower tines / Number of tines (mm/pcs.) | 680/6, 810/7 | 680/6, 810/7 | 680/6, 810/7 | 680/7, 810/8 | 680/8, 810/9 | 680/8, 810/9 |
| Number of tines (pcs.) | 13 | 13 | 13 | 15 | 17 | 17 |
| Tine spacing: Upper tines / Lower tines (mm) | 252/213 | 252/213 | 272/230 | 243/211 | 237/210 | 268/235 |
| Lenght (mm) | 1100 | 1100 | 1100 | 1100 | 1100 | 1100 |
| Opening height (mm) | 1120 | 1120 | 1120 | 1120 | 1120 | 1120 |

FL CROCODILE A



| | | | | | | | |
|--|-------|-------|-------|-------|-------|--------|--------|
| Width (mm) | 1200 | 1400 | 1600 | 1800 | 2000 | 2200 | 2400 |
| Overall height (mm) | 949 | 949 | 949 | 949 | 949 | 949 | 949 |
| Weight (kg) | 236 | 256 | 319 | 352 | 383 | 415 | 445 |
| Volume (m3) | 0,65 | 0,75 | 0,90 | 1,00 | 1,10 | 1,20 | 1,30 |
| Capacity (kg) | 550 | 700 | 850 | 950 | 1050 | 1150 | 1250 |
| Tine spacing: Upper tines / Lower tines (mm) | 680/5 | 680/7 | 680/8 | 680/9 | 680/9 | 680/10 | 680/10 |
| Tine spacing (mm) | 205 | 205 | 205 | 203 | 228 | 225 | 247 |
| Lenght (mm) | 1100 | 1100 | 1100 | 1100 | 1100 | 1100 | 1100 |
| Opening height (mm) | 1215 | 1215 | 1215 | 1215 | 1215 | 1215 | 1215 |

FL CROCODILE B



| | | | | | | | | |
|------------------------|------|------|------|------|------|------|------|------|
| Width (mm) | 1200 | 1400 | 1500 | 1600 | 1800 | 2000 | 2200 | 2400 |
| Overall height (mm) | 940 | 940 | 940 | 940 | 940 | 940 | 940 | 940 |
| Weight (kg) | 236 | 276 | 306 | 316 | 349 | 389 | 411 | 435 |
| Volume (m3) | 0,6 | 0,7 | 0,8 | 0,9 | 1,0 | 1,10 | 1,20 | 1,30 |
| Capacity (kg) | 550 | 770 | 800 | 850 | 950 | 1050 | 1150 | 1250 |
| Number of tines (pcs.) | 6 | 6 | 6 | 6 | 7 | 7 | 8 | 8 |
| Lenght (mm) | 1100 | 1100 | 1100 | 1100 | 1100 | 1100 | 1100 | 1100 |
| Opening height (mm) | 1215 | 1215 | 1215 | 1215 | 1215 | 1215 | 1215 | 1215 |

FL SILO CUTTER



| | |
|----------------------------------|-------------|
| Overall width/Working width (mm) | 1680 / 1580 |
| Overall height (mm) | 980 |
| Weight (kg) | 500 |
| Lenght (mm) | 1070 |
| Volume (m3) | 0,9 |
| Number of actuators | 2 |
| Opening height (mm) | 875 |

FL BALE GRABBER



| | |
|---------------------|------|
| Maximum span (mm) | 1645 |
| Height (mm) | 750 |
| Width (mm) | 1480 |
| Lenght (mm) | 1285 |
| Weight (kg) | 198 |
| Number of actuators | 1 |
| Capacity (kg) | 800 |

FL BALE GRABBER XL



| | |
|---------------------|------|
| Maximum span (mm) | 2100 |
| Height (mm) | 808 |
| Width (mm) | 1366 |
| Lenght (mm) | 1360 |
| Weight (kg) | 207 |
| Number of actuators | 1 |
| Capacity (kg) | 800 |

FL SQUARE BALE GRABBER



| | |
|---------------------|------|
| Maximum span (mm) | 1450 |
| Height (mm) | 780 |
| Width (mm) | 1200 |
| Lenght (mm) | 1175 |
| Weight (kg) | 195 |
| Number of actuators | 2 |
| Capacity (kg) | 800 |

FL PALLET FORK



| | |
|---------------------|------|
| Width (mm) | 1200 |
| Overall height (mm) | 470 |
| Weight (kg) | 140 |
| Capacity (kg) | 2000 |
| Fork lenght (mm) | 1200 |

FL PALLET FORK L



| | |
|---------------------|------|
| Width (mm) | 1200 |
| Overall height (mm) | 960 |
| Weight (kg) | 157 |
| Capacity (kg) | 2000 |
| Fork lenght (mm) | 1200 |

FL BAKE SPIKE



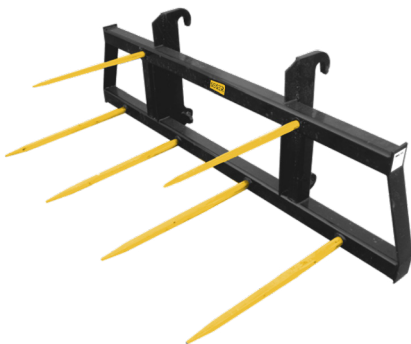
| | |
|---------------------------------------|-------|
| Width (mm) | 1200 |
| Overall height (mm) | 610 |
| Weight (kg) | 57 |
| Capacity (kg) | 700 |
| Tine lenght/Number of tines (mm/pcs.) | 810/2 |

FL BALE SPIKE L

| | |
|---------------------------------------|-------|
| Width (mm) | 1200 |
| Overall height (mm) | 610 |
| Weight (kg) | 61 |
| Capacity (kg) | 800 |
| Tine lenght/Number of tines (mm/pcs.) | 810/3 |



FL BALE SPIKE XL



| | |
|---------------------------------------|------------------------|
| Width (mm) | 2380 |
| Overall height (mm) | 560 |
| Weight (kg) | 183 |
| Capacity (kg) | 1600 |
| Tine lenght/Number of tines (mm/pcs.) | 700/2 Top 860/4 Bottom |

FL STONE FORK



| | | | |
|------------------------|------|------|------|
| Width (mm) | 1300 | 1500 | 1750 |
| Lenght (mm) | 1190 | 1190 | 1190 |
| Overall height (mm) | 580 | 580 | 580 |
| Weight (kg) | 190 | 220 | 248 |
| Number of tines (pcs.) | 16 | 19 | 22 |

FL WOOD GRIPPER

| | |
|-------------|-----|
| Width (mm) | 200 |
| Lenght (mm) | 790 |
| Weight (kg) | 58 |



FL BIG-BAG TRÄGER



| | |
|-----------------------|------------|
| Width (mm) | 1200 |
| Lenght (mm) | 630 |
| Overall height (mm) | 1195-1435 |
| Weight (kg) | 80 |
| Maximum capacity (kg) | up to 1000 |

TL VOLUME BUCKET

| | | | | |
|---------------------|------|------|------|------|
| Width (mm) | 1800 | 2000 | 2200 | 2400 |
| Depth (mm) | 1100 | 1100 | 1100 | 1100 |
| Overall height (mm) | 920 | 920 | 920 | 920 |
| Weight (kg) | 325 | 350 | 370 | 390 |
| Volume (m3) | 1 | 1,1 | 1,2 | 1,4 |

Check the available fastenings on [page 18](#).



TL VOLUME BUCKET XL

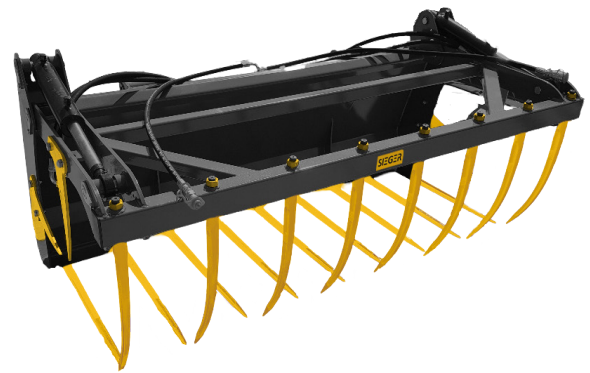


| | | | |
|---------------------|------|------|------|
| Width (mm) | 2000 | 2200 | 2500 |
| Depth (mm) | 1660 | 1660 | 1660 |
| Overall height (mm) | 1240 | 1240 | 1240 |
| Weight (kg) | 625 | 660 | 822 |
| Volume (m3) | 2,4 | 2,6 | 3,0 |

Check the available fastenings on [page 18](#).

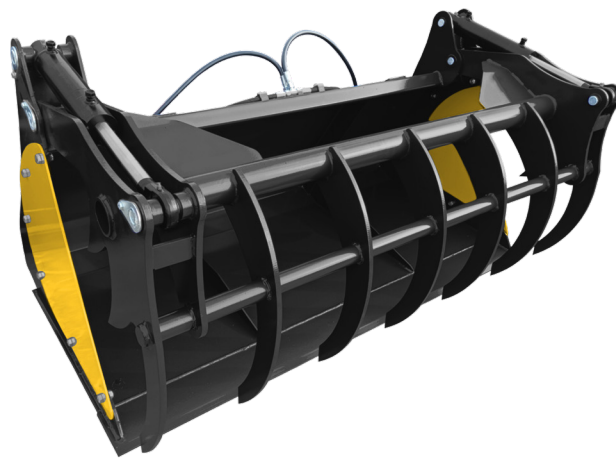
TL CROCODILE

| | | |
|--|-------------|-------------|
| Width (mm) | 2000 | 2200 |
| Overall height (mm) | 950 | 950 |
| Weight (kg) | 527 | 580 |
| Volume (m3) | 1,23 | 1,35 |
| Lenght: Upper tines / Lower tines (mm) | 800/810/980 | 800/810/980 |
| Number of tines (pcs.) | 20 | 22 |
| Opening height (mm) | 1085 | 1085 |



Check the available fastenings on [page 18](#).

TL CROCODILE BUCKET B



| | | | | |
|------------------------|------|------|------|------|
| Width (mm) | 1800 | 2000 | 2300 | 2500 |
| Lenght (mm) | 1100 | 1100 | 1100 | 1100 |
| Overall height | 940 | 940 | 940 | 940 |
| Weight (kg) | 357 | 386 | 442 | 483 |
| Volume (m3) | 1,00 | 1,10 | 1,25 | 1,35 |
| Number of tines (pcs.) | 7 | 7 | 8 | 8 |
| Opening height (mm) | 1215 | 1215 | 1215 | 1215 |

Check the available fastenings on [page 18](#).

TL SILO CUTTER



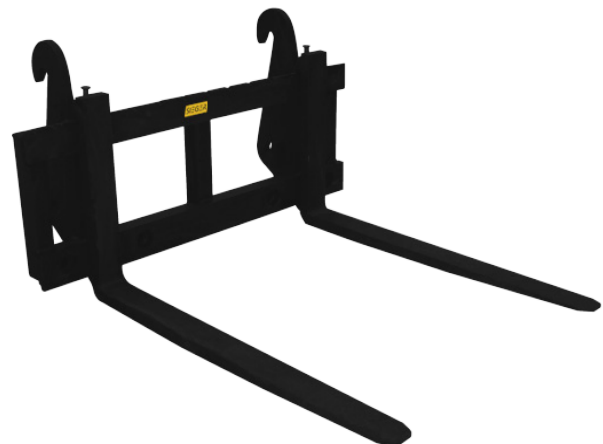
| | |
|----------------------------------|-------------|
| Overall width/Working width (mm) | 1680 / 1580 |
| Overall height (mm) | 980 |
| Weight (kg) | 500 |
| Lenght (mm) | 1070 |
| Volume (m3) | 0,9 |
| Number of actuators | 2 |
| Opening height (mm) | 875 |

Check the available fastenings on [page 18](#).

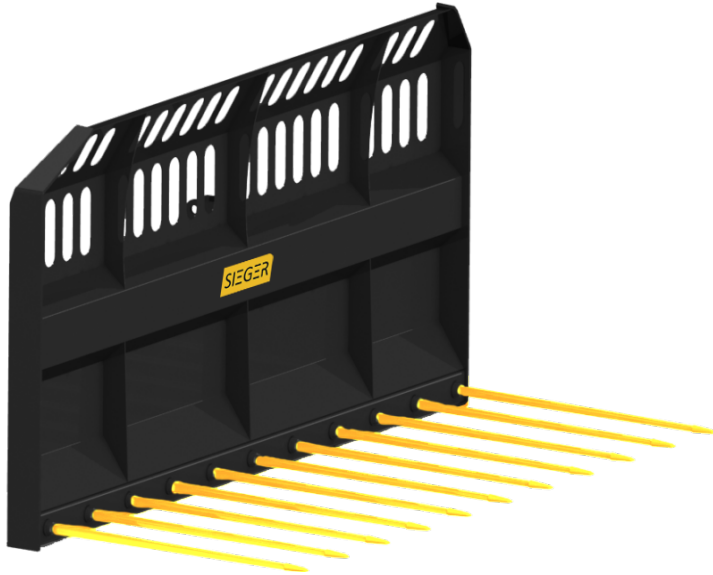
TL PALLET FORK

| | |
|---------------------|------|
| Width (mm) | 1400 |
| Overall height (mm) | 510 |
| Weight (kg) | 345 |
| Capacity (kg) | 3500 |
| Fork lenght (mm) | 1800 |

Check the available fastenings on [page 18](#).



TL PRISM FORK



| | |
|---------------------------------------|---------|
| Width (mm) | 2400 |
| Length (mm) | 1100 |
| Overall height (mm) | 1225 |
| Weight (kg) | 275 |
| Tine length/Number of tines (mm/pcs.) | 1100/11 |

Check the available fastenings on [page 18](#).

ML LOADER BUCKET



| | | | | | | | | |
|-------------|------|------|------|------|------|------|------|------|
| Width (mm) | 800 | 900 | 1000 | 1100 | 1200 | 1300 | 1400 | 1600 |
| Depth (mm) | 1080 | 1080 | 1080 | 1080 | 1080 | 1080 | 1080 | 1080 |
| Height (mm) | 810 | 810 | 810 | 810 | 810 | 810 | 810 | 810 |
| Weight (kg) | 124 | 130 | 147 | 154 | 161 | 170 | 179 | 188 |
| Volume (m3) | 0,36 | 0,4 | 0,45 | 0,49 | 0,53 | 0,58 | 0,62 | 0,71 |

Check the available fastenings on [page 18](#).

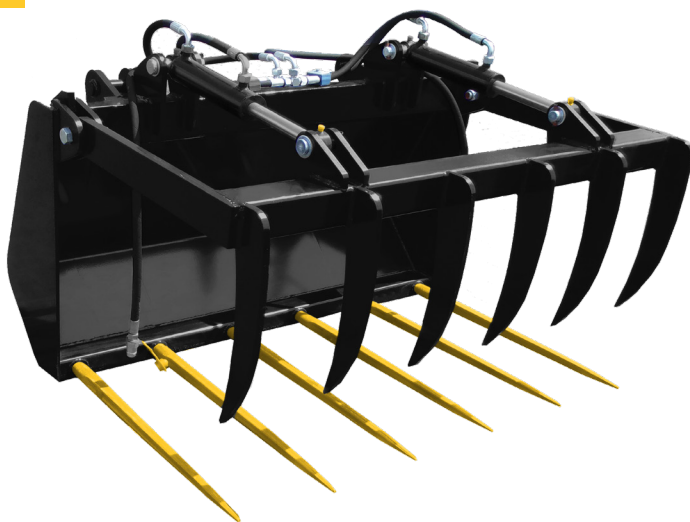
ML LOADER BUCKET 4 IN 1

| | | | |
|---------------------|------|------|------|
| Width (mm) | 1200 | 1300 | 1400 |
| Depth (mm) | 520 | 520 | 520 |
| Overall height (mm) | 555 | 555 | 555 |
| Weight (kg) | 126 | 136 | 147 |
| Volume (m3) | 0,08 | 0,10 | 0,12 |

Check the available fastenings on page 18.



ML CROCODILE



| | | | |
|---|--------------|--------------|--------------|
| Width (mm) | 1000 | 1200 | 1400 |
| Length (mm) | 1080 | 1080 | 1080 |
| Overall height (mm) | 900 | 900 | 900 |
| Weight (kg) | 199 | 212 | 247 |
| Volume (m3) | 0,49 | 0,57 | 0,66 |
| Upper tines, lower tines: Tine length/ Number of tines (mm/pcs.) | 460/7, 810/7 | 460/8, 810/8 | 460/9, 810/9 |
| Opening height (mm) | 1120 | 1120 | 1120 |

Check the available fastenings on page 18.

ML CROCODILE BUCKET A



| | | | | | |
|---------------------|------|------|------|------|------|
| Overall width (mm) | 900 | 1000 | 1100 | 1200 | 1400 |
| Depth (mm) | 1080 | 1080 | 1080 | 1080 | 1080 |
| Overall height (mm) | 900 | 900 | 900 | 900 | 900 |
| Weight (kg) | 200 | 210 | 225 | 240 | 260 |
| Volume (m3) | 0,22 | 0,26 | 0,3 | 0,34 | 0,42 |

Check the available fastenings on page 18.

MF LOADER BUCKET L

| | | |
|---------------------|-------|-------|
| Width (mm) | 1200 | 1400 |
| Depth (mm) | 568 | 568 |
| Overall height (mm) | 580 | 580 |
| Weight (kg) | 87 | 94 |
| Volume (m3) | 0,197 | 0,229 |



Check the available fastenings on page 18.

MF CROCODILE



| | | |
|-----------------------------------|------|------|
| Width (mm) | 1200 | 1400 |
| Overall width (mm) | 1230 | 1430 |
| Overall height (mm) | 825 | 825 |
| Lenght (mm) | 705 | 705 |
| Weight (kg) | 120 | 132 |
| Number of tines top/bottom (pcs.) | 6/5 | 6/5 |
| Number of actuators | 2 | 2 |

Check the available fastenings on page 18.

MF CROCODILE BUCKET A

| | | |
|---------------------------------|-------|-------|
| Overall width (mm) | 1200 | 1400 |
| Depth (mm) | 750 | 750 |
| Overall height (mm) | 765 | 765 |
| Opening height (mm) | 815 | 815 |
| Weight (kg) | 145 | 169 |
| Volume (m3) | 0.197 | 0.229 |
| Compressed material volume (m3) | 0.385 | 0.400 |



Check the available fastenings on page 18.

MF CROCODILE BUCKET B



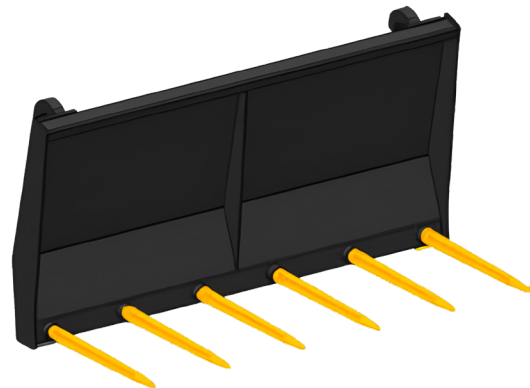
| | | |
|---------------------------------|-------|-------|
| Overall width (mm) | 1200 | 1400 |
| Depth (mm) | 750 | 750 |
| Overall height (mm) | 765 | 765 |
| Opening height (mm) | 815 | 815 |
| Weight (kg) | 145 | 169 |
| Volume (m3) | 0.197 | 0.229 |
| Compressed material volume (m3) | 0.385 | 0.400 |

Check the available fastenings on page 18.

MF MANURE FORKS

| | | |
|------------------------|------|------|
| Overall width (mm) | 1200 | 1400 |
| Depth (mm) | 610 | 610 |
| Overall height (mm) | 642 | 642 |
| Weight (kg) | 66 | 75 |
| Number of tines (pcs.) | 6 | 7 |

Check the available fastenings on page 18.



AVAILABLE FASTENINGS

| | |
|----------------------------|--|
| EURO | Knikmops |
| SMS | Komatsu |
| Mailleux | Merlo |
| Three-point linkage + EURO | Avant |
| Schaffer | Everun |
| Weidemann | Dieci |
| Thaler | Pallet fork |
| Atlas | Three-point linkage + EURO + Pallet fork |
| John Deere | Manitou |
| Kramer | JCB |
| Mustang | Caterpillar |
| New Holland | Bobcat |
| Giant | Volvo |
| Terex | Claas |
| Striegel | Case |
| Faucheux | Liebherr |
| Macks | Triangle hitch |
| Hercules | Euroframe |
| Hamer | Adapter |
| Matbro | |



SIEGER

www.siegertech.de

